



# BERG CHAMPION

Productsheet XL



BERG CHAMPION + SAFETY NET, BERG CHAMPION INGROUND + SAFETY NET,  
BERG CHAMPION INGROUND, BERG CHAMPION FLATGROUND

*Jumping **safe** and **long**,  
in every garden!*

**BERGTOYS.COM**



## WHY A CHAMPION?

*Choose the unbeaten Champion!*

The BERG Champion has been developed with great attention and care. This resulted in a qualitative excellent trampoline, which is safe to use. It does not matter which one you choose, you choose quality with a BERG Champion. The BERG Champion is cleverly designed for long and safe jumping. The combination of the TwinSpring Gold springs and the AirFlow jumping technique ensures less air resistance, a larger jump area and more jumping fun!

In this productsheet you can find information about:

- The round shape
- The protective edge
- The jump mat
- The springs
- The frame
- The Safety Net Deluxe
- The Safety Net Comfort

### Warranty

Frame: 13 year\*  
Protective edge: 2 year  
Jumping mat: 2 year  
Springs: 5 year

\* On registration at [bergtoys.com/registration](http://bergtoys.com/registration).



*Jumping **safe** and **long**,  
in every garden!*

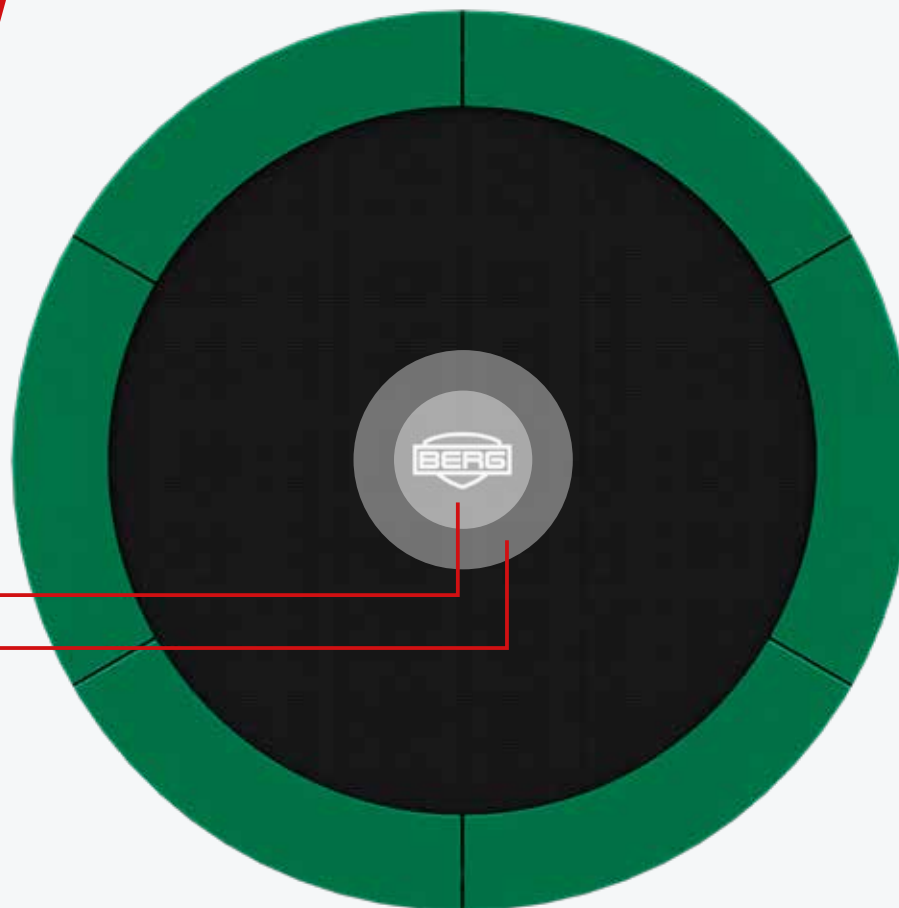


## 1. THE ROUND SHAPE

The frame of a round trampoline is very strong. On a round trampoline you always jump towards the centre. The best jumps are made in the centre of a round trampoline. This is because the tension on the springs and the frame is equally divided when jumping.

Perfect Jump Area GoldSpring Solo 

Perfect Jump Area TwinSpring Gold 



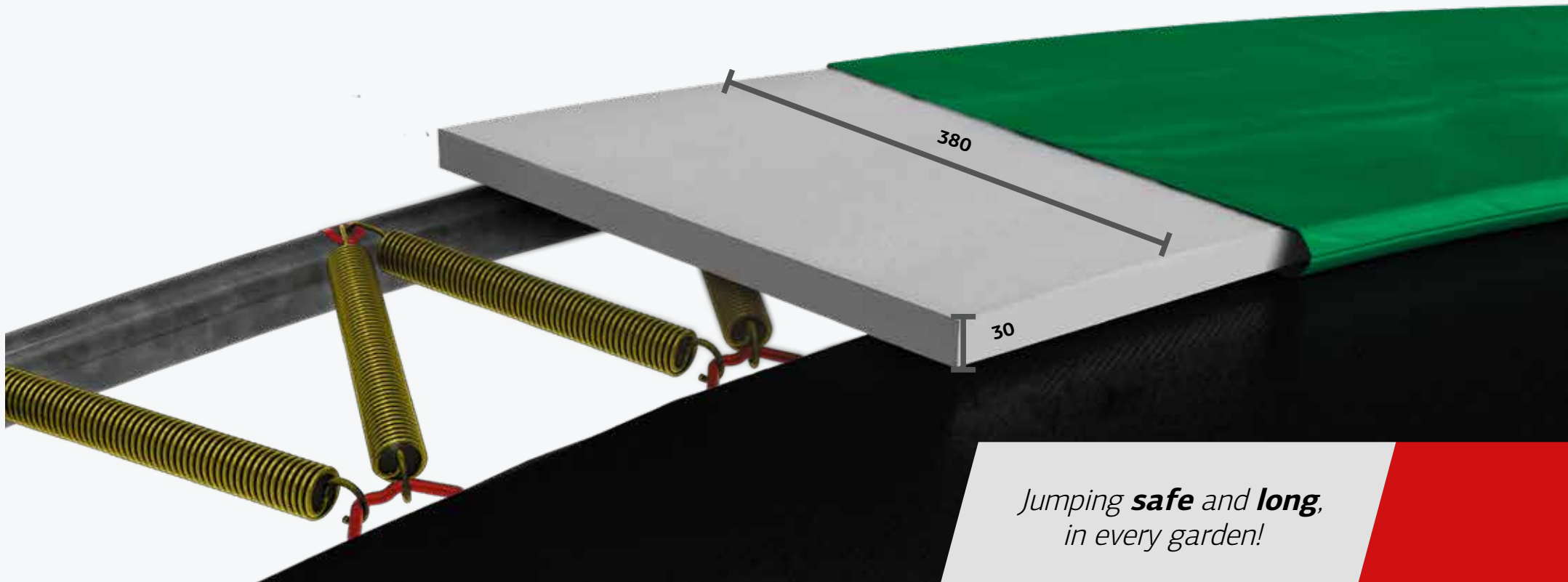
*Jumping **safe** and **long**,  
in every garden!*

\* TwinSpring springs are fitted on the Elite and Champion trampolines as standard.



## 2. PROTECTIVE EDGE

Champion trampoline has a padding with a 30 mm thick foam layer. The foam is covered by a thick water-resistant top layer of enforced PVC. The padding is 380 mm wide which ensures a good protective overlap of the springs.



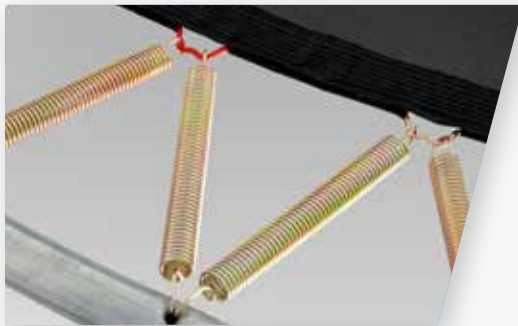
Jumping **safe** and **long**,  
in every garden!



### 3. AIRFLOW

Higher jumps mean more fun. We have developed the AirFlow technique to enable you to make higher jumps. This jumping mat allows 50% more air permeation compared with a standard jumping mat. Good airflow ensures less resistance while jumping, which is why you can make higher jumps.

The durable AirFlow jump mat is made from woven polypropylene. The jump mat contains special spring-eyes for the TwinSpring system. The loops for the strong metal spring eyes are thoroughly joined to the jump mat with no less than 8 rows of stitching.



# AIRFLOW

The AirFlow product innovation is only available on the BERG Champion and BERG Elite lines.

Jumping **safe** and **long**,  
in every garden!

[BERGTOYS.COM](http://BERGTOYS.COM)



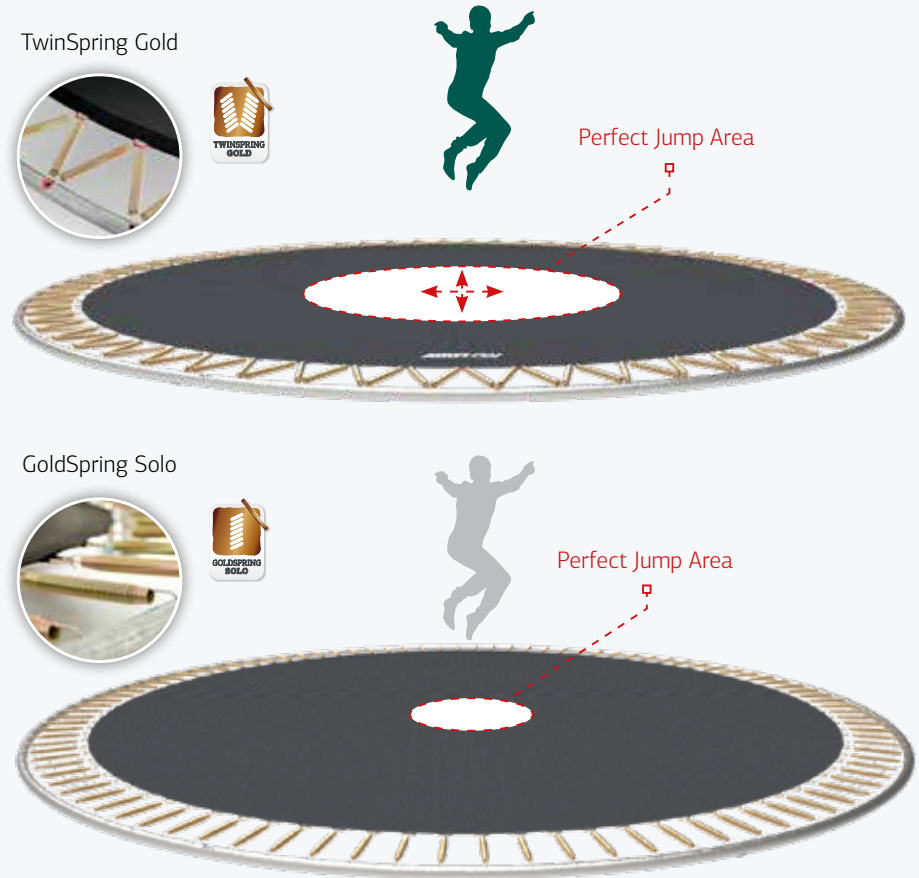
## 4. TWINSPRING GOLD

The perfect jump area is that optimal part of the jump mat which results in the best jump experience. Jumping outside of this area results in a sense of feeling as if you are being pushed towards the inner part of the trampoline. Trampolines comprising of TwinSpring Gold Springs are mounted in the shape of a "V". This allows for larger perfect jump area compared to trampolines that are sold with a conventional spring.

Another advantage? Due to the angled positioning of the TwinSpring Gold, the springs are longer in length without compromising the size of the jump mat. This results in a safer trampoline that optimizes playing pleasure!

The BERG TwinSpring Gold is a long and slender spring. The spring is completely galvanized with a durable rust-resistant layer of zinc that covers the complete surface of the spring. Installing the springs has never been easier with the user-friendly installation system.

The jump mat is equipped with 4 red spring-eyes and the round top frame (top rail) of the trampoline has 4 locations that are marked red. Install the springs in between the red locations of the top rail and red spring-eyes and the jump mat is always installed properly.

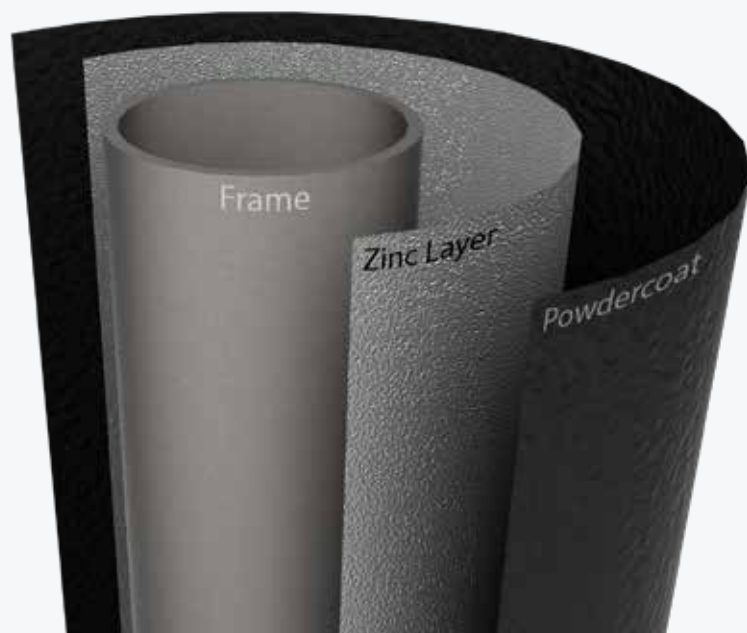


Jumping **safe** and **long**,  
in every garden!



## 5. FRAME

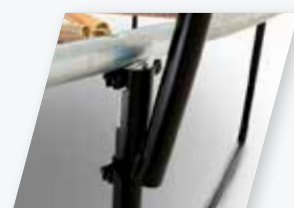
The Champion has a solid frame of strong tubes with a substantial tube thickness. The frame is highly rust-resistant caused by the special double coating on the tube. The tubes are first provided with a durable zinc-layer and then covered with a beautiful black powder coating layer. The frame is easy to assemble.



Jumping **safe** and **long**,  
in every garden!



## 6. SAFETY NET DELUXE



Become a **champion**  
on our largest  
**oval** trampoline





## 7. SAFETY NET COMFORT

The Safety Net Comfort is a safe net through the self-closing entrance with recognizable piping. The poles of the net can easily be attached to the trampoline frame (Regular or InGround). Due to the thick foam around the poles, it is extra safe.

Foam padding around the Safety Net poles provides extra protection



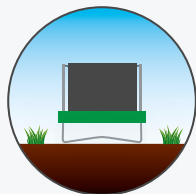
*Jumping **safe** and **long**,  
in every garden!*



# BERG CHAMPION + SAFETY NET

Choose the unbeaten Champion!

BERG Trampoline



If you prefer not to dig a hole in your garden, a high trampoline is a good choice. A high trampoline is easy to install and move around. A high trampoline is also clearly visible in your garden.



Ø 270 not in gray

Article number	EAN - Code	Product name	Package 1	Package 2	Number of springs	Entrance height in cm	Testweight in kg	Max user-weight in kg	Tube diameter / wall thickness Toprail in mm	Tube diameter / wall thickness Legs in mm	Tube diameter / wall thickness Safetynet poles in mm	Total height trampoline in cm	Safety net height in cm
35.39.01.02	8715839062700	BERG Champion Green 270 + Safety Net Deluxe	35.39.27.01	35.72.19.02	64	70	350	70	Ø38,1 x 1,5	Ø38,1 x 1,5	38,1 x 1,5	250	180
35.39.04.01	8715839062984	BERG Champion Green 270 + Safety Net Comfort	35.39.27.01	35.74.09.02	64	70	350	70	Ø38,1 x 1,5	Ø38,1 x 1,5	31,8 x 1,2	250	180
35.41.01.02	8715839062717	BERG Champion Green 330 + Safety Net Deluxe	35.41.27.01	35.72.21.02	96	85	500	100	Ø42x2	Ø42x2	38,1 x 1,5	265	180
35.41.04.01	8715839062991	BERG Champion Green 330 + Safety Net Comfort	35.41.27.01	35.74.11.02	96	85	500	100	Ø42x2	Ø42x2	31,8 x 1,2	265	180
35.41.93.01	8715839062779	BERG Champion Grey 330 + Safety Net Deluxe	35.41.23.01	35.72.21.02	96	85	500	100	Ø42x2	Ø42x2	38,1 x 1,5	265	180
35.41.94.01	8715839063028	BERG Champion Grey 330 + Safety Net Comfort	35.41.23.01	35.74.11.02	96	85	500	100	Ø42x2	Ø42x2	31,8 x 1,2	265	180
35.42.01.02	8715839062724	BERG Champion Green 380 + Safety Net Deluxe	35.42.27.01	35.72.22.02	112	90	550	110	Ø42x2	Ø42x2	38,1 x 1,5	270	180
35.42.04.01	8715839063004	BERG Champion Green 380 + Safety Net Comfort	35.42.27.01	35.74.12.02	112	90	550	110	Ø42x2	Ø42x2	31,8 x 1,2	270	180
35.42.93.01	8715839062786	BERG Champion Grey 380 + Safety Net Deluxe	35.42.23.01	35.72.22.02	112	90	550	110	Ø42x2	Ø42x2	38,1 x 1,5	270	180
35.42.94.01	8715839063035	BERG Champion Grey 380 + Safety Net Comfort	35.42.23.01	35.74.12.02	112	90	550	110	Ø42x2	Ø42x2	31,8 x 1,2	270	180
35.44.01.02	8715839062755	BERG Champion Green 430 + Safety Net Deluxe	35.44.27.01	35.72.24.02	128	95	600	120	Ø42x2	Ø42x2	38,1 x 1,5	275	180
35.44.05.01	8715839062830	BERG Champion Green 430 + Safety Net Comfort	35.44.27.01	35.74.14.02	128	95	600	120	Ø42x2	Ø42x2	31,8 x 1,2	275	180
35.44.93.01	8715839062793	BERG Champion Grey 430 + Safety Net Deluxe	35.44.23.01	35.72.24.02	128	95	600	120	Ø42x2	Ø42x2	38,1 x 1,5	275	180
35.44.94.01	8715839063042	BERG Champion Grey 430 + Safety Net Comfort	35.44.23.01	35.74.14.02	128	95	600	120	Ø42x2	Ø42x2	31,8 x 1,2	275	180
35.44.98.01	8715839067330	BERG Champion Regular 430 Grey Levels + Safety Net Comfort	35.44.29.01	35.74.14.02	128	95	600	120	Ø42x2	Ø42x2	31,8 x 1,2	275	180
35.44.99.01	8715839067286	BERG Champion Regular 430 Grey Levels + Safety Net Deluxe	35.44.29.01	35.72.24.02	128	95	600	120	Ø42x2	Ø42x2	38,1 x 1,5	275	180

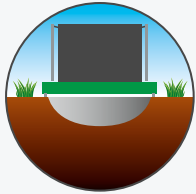
Jumping **safe** and **long**,  
in every garden!



# BERG CHAMPION INGROUND + SAFETY NET

Choose the unbeaten Champion!

BERG InGround Trampoline



A sunken trampoline with a safety net has a low threshold, making it easy and safe to step onto. The InGround trampoline is less visible in the garden than a high trampoline.

Ø 270 not in gray



Article number	EAN - Code	Product name	Package 1	Package 2	Number of springs	Entrance height in cm	Testweight in kg	Max userweight in kg	Tube diameter / wall thickness Toprail in mm	Tube diameter / wall thickness Legs in mm	Tube diameter / wall thickness Safetynet poles in mm	Total height trampoline in cm	Safety net height in cm
35.39.05.01	8715839062809	BERG Champion InGround Green 270 + Safety Net Deluxe	35.39.57.01	35.72.19.02	64	20	350	70	Ø38,1 x 1,5	Ø42x2	38,1 x 1,5	20	180
35.39.06.01	8715839063059	BERG Champion InGround Green 270 + Safety Net Comfort	35.39.57.01	35.74.09.02	64	20	350	70	Ø38,1 x 1,5	Ø42x2	31,8 x 1,2	20	180
35.41.05.01	8715839062816	BERG Champion InGround Green 330 + Safety Net Deluxe	35.41.57.01	35.72.21.02	96	20	500	100	Ø42x2	Ø42x2	38,1 x 1,5	20	180
35.41.06.01	8715839063066	BERG Champion InGround Green 330 + Safety Net Comfort	35.41.57.01	35.74.11.02	96	20	500	100	Ø42x2	Ø42x2	31,8 x 1,2	20	180
35.41.91.01	8715839062854	BERG Champion InGround Grey 330 + Safety Net Deluxe	35.41.53.01	35.72.21.02	96	20	500	100	Ø42x2	Ø42x2	38,1 x 1,5	20	180
35.41.92.01	8715839063097	BERG Champion InGround Grey 330 + Safety Net Comfort	35.41.53.01	35.74.11.02	96	20	500	100	Ø42x2	Ø42x2	31,8 x 1,2	20	180
35.42.05.01	8715839062823	BERG Champion InGround Green 380 + Safety Net Deluxe	35.42.57.01	35.72.22.02	112	20	550	110	Ø42x2	Ø42x2	38,1 x 1,5	20	180
35.42.06.01	8715839063073	BERG Champion InGround Green 380 + Safety Net Comfort	35.42.57.01	35.74.12.02	112	20	550	110	Ø42x2	Ø42x2	31,8 x 1,2	20	180
35.42.91.01	8715839062861	BERG Champion InGround Grey 380 + Safety Net Deluxe	35.42.53.01	35.72.22.02	112	20	550	110	Ø42x2	Ø42x2	38,1 x 1,5	20	180
35.42.92.01	8715839063103	BERG Champion InGround Grey 380 + Safety Net Comfort	35.42.53.01	35.74.12.02	112	20	550	110	Ø42x2	Ø42x2	31,8 x 1,2	20	180
35.44.08.01	8715839062847	BERG Champion InGround Green 430 + Safety Net Deluxe	35.44.57.01	35.72.24.02	128	20	600	120	Ø42x2	Ø42x2	38,1 x 1,5	20	180
35.44.09.01	8715839063080	BERG Champion InGround Green 430 + Safety Net Comfort	35.44.57.01	35.74.14.02	128	20	600	120	Ø42x2	Ø42x2	31,8 x 1,2	20	180
35.44.91.01	8715839062878	BERG Champion InGround Grey 430 + Safety Net Deluxe	35.44.53.01	35.72.24.02	128	20	600	120	Ø42x2	Ø42x2	38,1 x 1,5	20	180
35.44.92.01	8715839063110	BERG Champion InGround Grey 430 + Safety Net Comfort	35.44.53.01	35.74.14.02	128	20	600	120	Ø42x2	Ø42x2	31,8 x 1,2	20	180

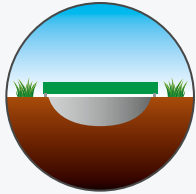
Jumping **safe** and **long**,  
in every garden!



# BERG CHAMPION INGROUND

Choose the unbeaten Champion!

BERG InGround Trampoline



The sunken trampoline without safety net (sports) is nicely concealed in your garden. The low threshold of 20 centimetres makes the trampoline easy and safe to step onto.”

Ø 270 not in gray



Article number	EAN - Code	Product name	Number of springs	Entrance height in cm	Testweight in kg	Max user-weight in kg	Tube diameter / wall thickness Toprail in mm	Tube diameter / wall thickness Legs in mm	Padding thickness in mm	Width padding in mm	Total height trampoline in cm
35.39.57.01	8715839062595	BERG Champion InGround Green 270 (9ft)	64	20	350	70	Ø38,1 x 1,5	Ø42x2	30	380	20
35.41.53.01	8715839062632	BERG Champion InGround Grey 330 (11ft)	96	20	500	100	Ø42x2	Ø42x2	30	380	20
35.41.57.01	8715839062601	BERG Champion InGround Green 330 (11ft)	96	20	500	100	Ø42x2	Ø42x2	30	380	20
35.42.53.01	8715839062649	BERG Champion InGround Grey 380 (12,5ft)	112	20	550	110	Ø42x2	Ø42x2	30	380	20
35.42.57.01	8715839062618	BERG Champion InGround Green 380 (12,5ft)	112	20	550	110	Ø42x2	Ø42x2	30	380	20
35.44.53.01	8715839062656	BERG Champion InGround Grey 430 (14ft)	128	20	600	120	Ø42x2	Ø42x2	30	380	20
35.44.57.01	8715839062625	BERG Champion InGround Green 430 (14ft)	128	20	600	120	Ø42x2	Ø42x2	30	380	20

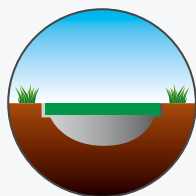
Jumping **safe** and **long**,  
in every garden!



# BERG CHAMPION FLATGROUND

Choose the unbeaten Champion!

BERG FlatGround Trampoline



A FlatGround trampoline integrates seamlessly with your garden. This is because the protective edge of the trampoline is completely level with the garden. This makes the trampoline unobtrusive and very easy to step onto.



The rectangular tubular frame is very strong and of high quality. As a result, the trampoline remains stationary and noiseless.



The Elite FlatGround has a special noise-reducing strap underneath the padding. This prevents the padding from rattling against the jumping mat and enables you to make quite jumps.

Article number	EAN - Code	Product name	Package 1	Package 2	Diameter	Number of springs	Entrance height in cm	Testweight in kg	Max user weight kg	Tube diameter / wall thickness Toprail in mm	Tube diameter / wall thickness Legs in mm	Padding thickness in mm	Width padding in mm	Total height trampoline in cm
38.11.03.00	8715839062199	BERG Champion FlatGround Grey 330 (11 ft)	38.11.50.00	38.11.63.00	330	96	0	500	100	120x40x2	-	30	410	0
38.11.07.00	8715839062205	BERG Champion FlatGround Green 330 (11 ft)	38.11.50.00	38.11.67.00	330	96	0	500	100	120x40x2	-	30	410	0
38.12.03.00	8715839062212	BERG Champion FlatGround Grey 380 (12,5 ft)	38.12.50.00	38.12.63.00	380	112	0	550	110	120x40x2	-	30	410	0
38.12.07.00	8715839062229	BERG Champion FlatGround Green 380 (12,5 ft)	38.12.50.00	38.12.67.00	380	112	0	550	110	120x40x2	-	30	410	0
38.14.03.00	8715839060539	BERG Champion FlatGround Grey 430 (14 ft)	38.14.50.00	38.14.63.00	430	128	0	600	120	120x40x2	-	30	410	0
38.14.07.00	8715839060522	BERG Champion FlatGround Green 430 (14 ft)	38.14.50.00	38.14.67.00	430	128	0	600	120	120x40x2	-	30	410	0

Jumping **safe** and **long**,  
in every garden!



## BERG CHAMPION ACCESSORIES

*Choose the unbeaten Champion!*

Accessory	Article	Product weight	Product weight + box	Box size in CM
1 BERG Weather cover Basic Green 270	35.99.27.03	1.7 kg	2.4 kg	58x10x38
2 BERG Weather cover Basic Green 330	35.99.33.03	2.3 kg	3 kg	58x10x38
3 BERG Weather cover Basic Green 380	35.99.38.03	2.8 kg	3.5 kg	58x12x38
4 BERG Weather cover Basic Green 430	35.99.43.03	3.2 kg	4 kg	58x13x38
5 BERG Weather cover Basic Green 270	35.99.52.02	4.6 kg	5.21 kg	58x11x38
6 BERG Weather cover Basic Green 330	35.99.53.02	6 kg	6.7 kg	58x12x38
7 BERG Weather cover Basic Green 380	35.99.54.02	7.1 kg	8 kg	58x16x38
8 BERG Weather cover Basic Green 430	35.99.55.02	8.9 kg	10 kg	58x19x38
9 BERG Weather cover Basic Grey 330	35.99.63.00	6 kg	6.7 kg	58x12x38
10 BERG Weather cover Basic Grey 380	35.99.64.00	7.1 kg	8 kg	58x16x38
11 BERG Weather cover Basic Grey 430	35.99.65.00	8.9 kg	10 kg	58x19x38

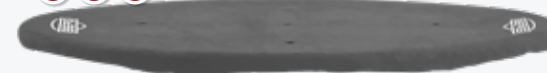
1 2 3 4



5 6 7 8



9 10 11



*Jumping **safe** and **long**,  
in every garden!*





## BERG CHAMPION ACCESSORIES

*Choose the unbeaten Champion!*

Accessory	Article	Product weight	Product weight + box	Box size in CM
1 BERG Ladder M	35.90.05.00	2.4 kg	3 kg	68x6x24
2 BERG Ladder L	35.90.04.00	2.7 kg	3.4 kg	84x6x24
3 BERG Ladder Platform + Ladder M	35.90.55.00	5.2 kg	6.9 kg	56x14x54 + 24x68x6
4 BERG Ladder Platform + Ladder L	35.90.54.00	5.5 kg	7.3 kg	56x14x54 + 24x84x6



### Ladder M

For trampolines measuring 70 and 76 cm high. The ladder is height adjustable.

### Ladder L

For trampolines measuring 85, 90 and 95 cm high. The ladder is height adjustable.

Jumping **safe** and **long**,  
in every garden!





## BERG CHAMPION ACCESSORIES

*Choose the unbeaten Champion!*

Accessory	Article	Product weight	Product weight + box	Box size in CM
1 BERG Anchor set	35.99.10.00	1.41 kg	1.5 kg	30x10x10
2 BERG Framenet Extra 270	35.80.09.01	2.3 kg	2.7 kg	29.5x12x32
3 BERG Framenet Extra 330	35.80.11.01	2.9 kg	3.3 kg	29.5x15x32
4 BERG Framenet Extra 380	35.80.12.01	3.2 kg	3.6 kg	29.5x15x32
5 BERG Framenet Extra 430	35.80.14.01	3.7 kg	4.2 kg	29.5x18x32



*Jumping **safe** and **long**,  
in every garden!*



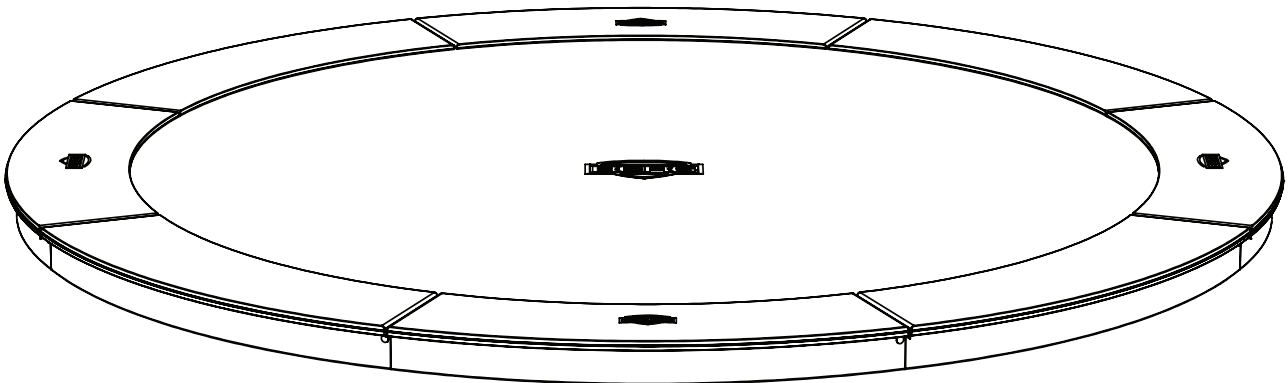




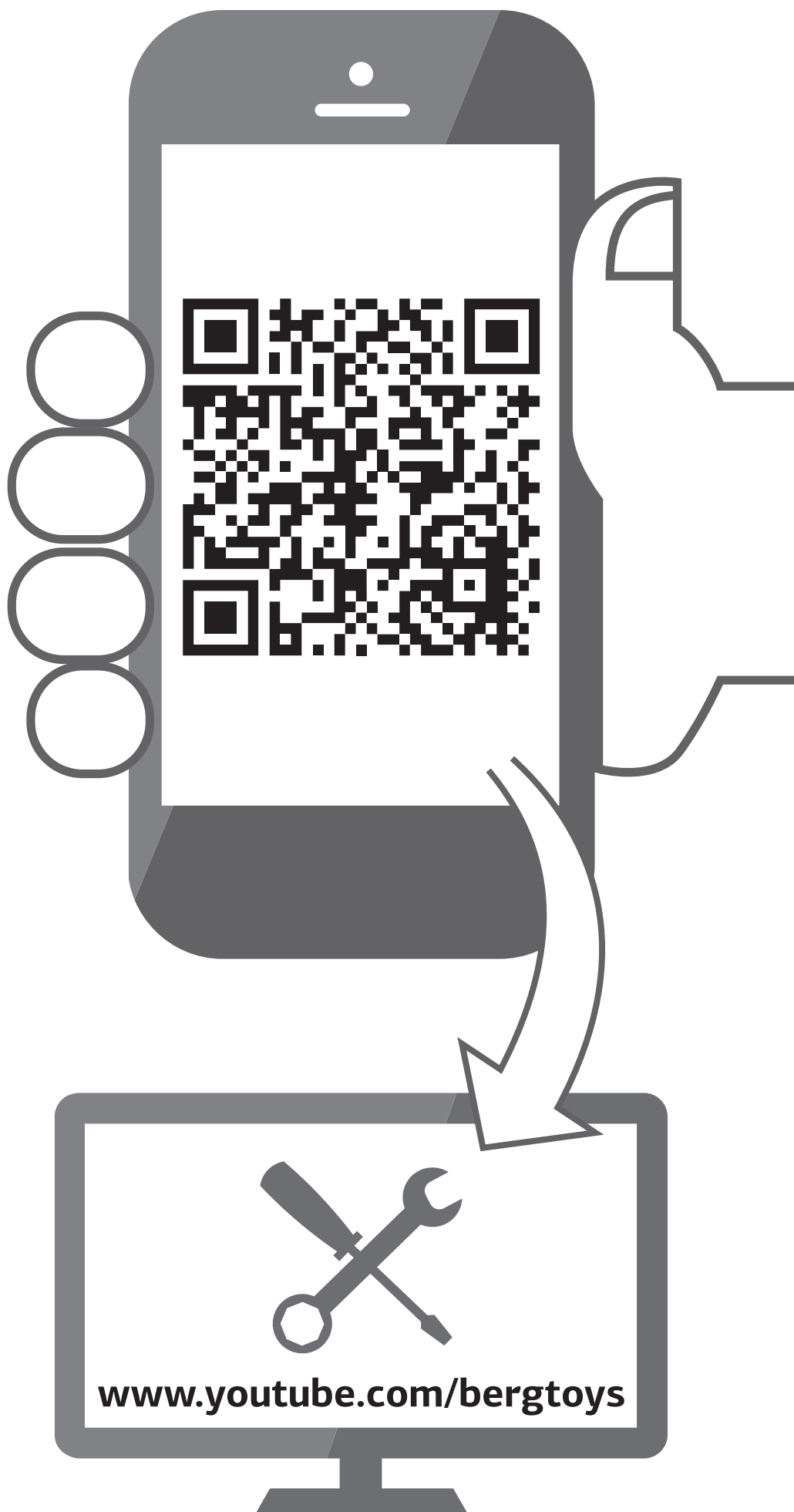


# BERG Flatground Champion

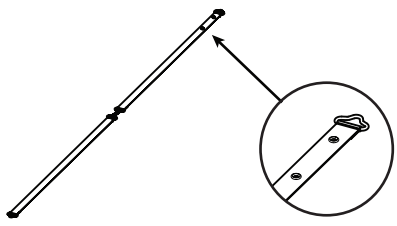
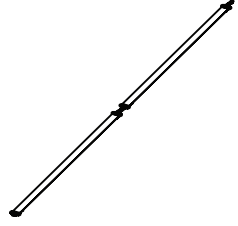
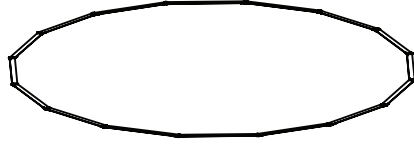
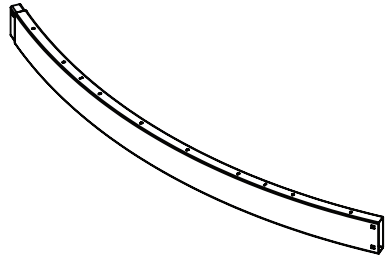
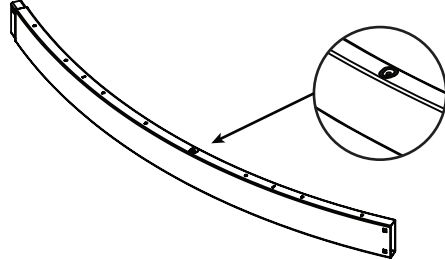
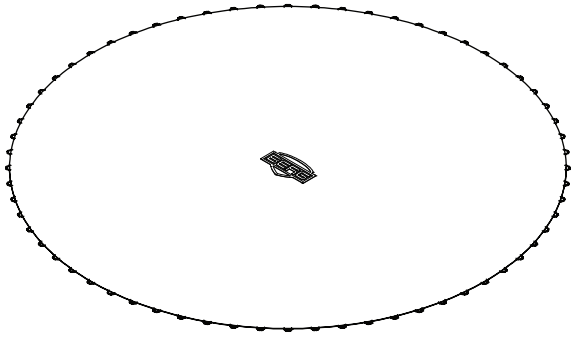
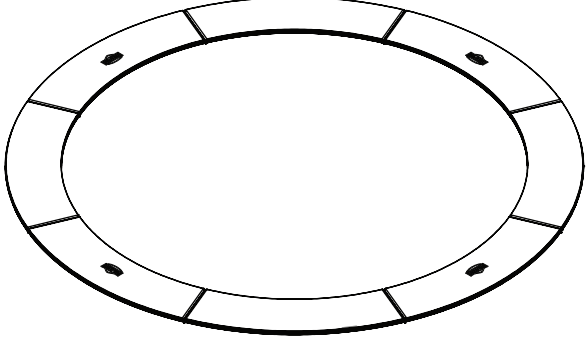
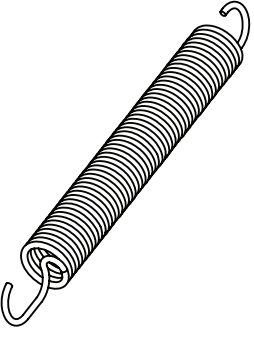
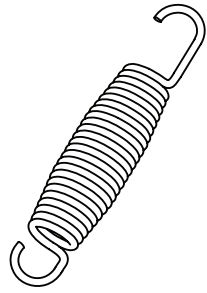
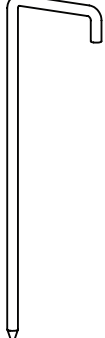
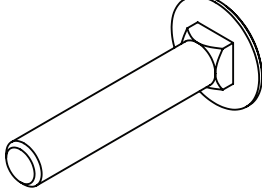
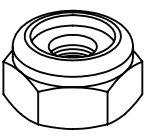
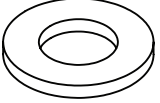
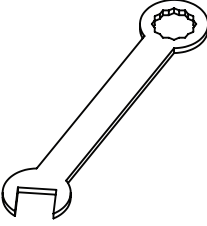
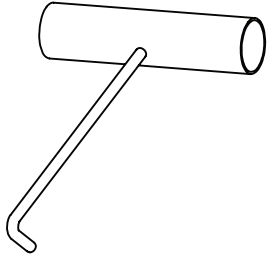
User manual  
Gebruikshandleiding  
Gebrauchsanweisung  
Mode d'emploi  
Instruktionsbok  
Brugermanual



BERG Flatground Champion 430 (14 ft)

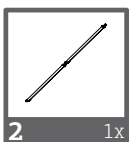
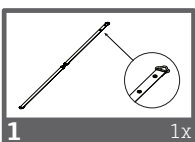
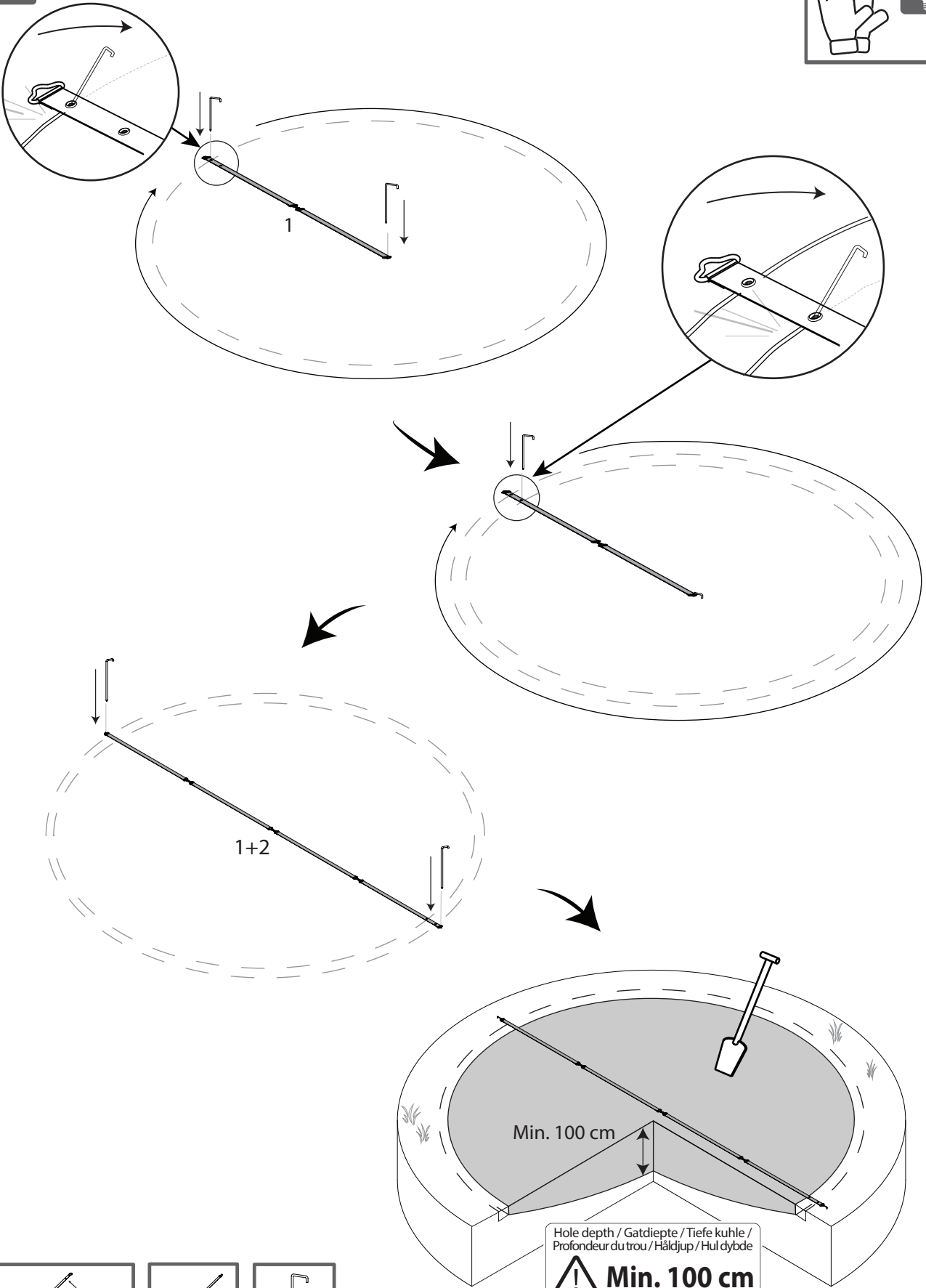
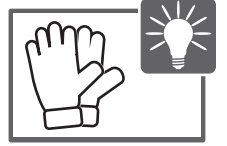




 <p>1 1x</p>	 <p>2 1x</p>	 <p>3 1x</p>	
 <p>4 4x</p>	 <p>5 4x</p>		
 <p>6 1x</p>	 <p>7 1x</p>		
 <p>8 128x</p>	 <p>9 16x</p>	 <p>10 2x</p>	 <p>11 16x</p>
 <p>12 16x</p>	 <p>13 16x</p>	 <p>14 1x</p>	 <p>15 1x</p>

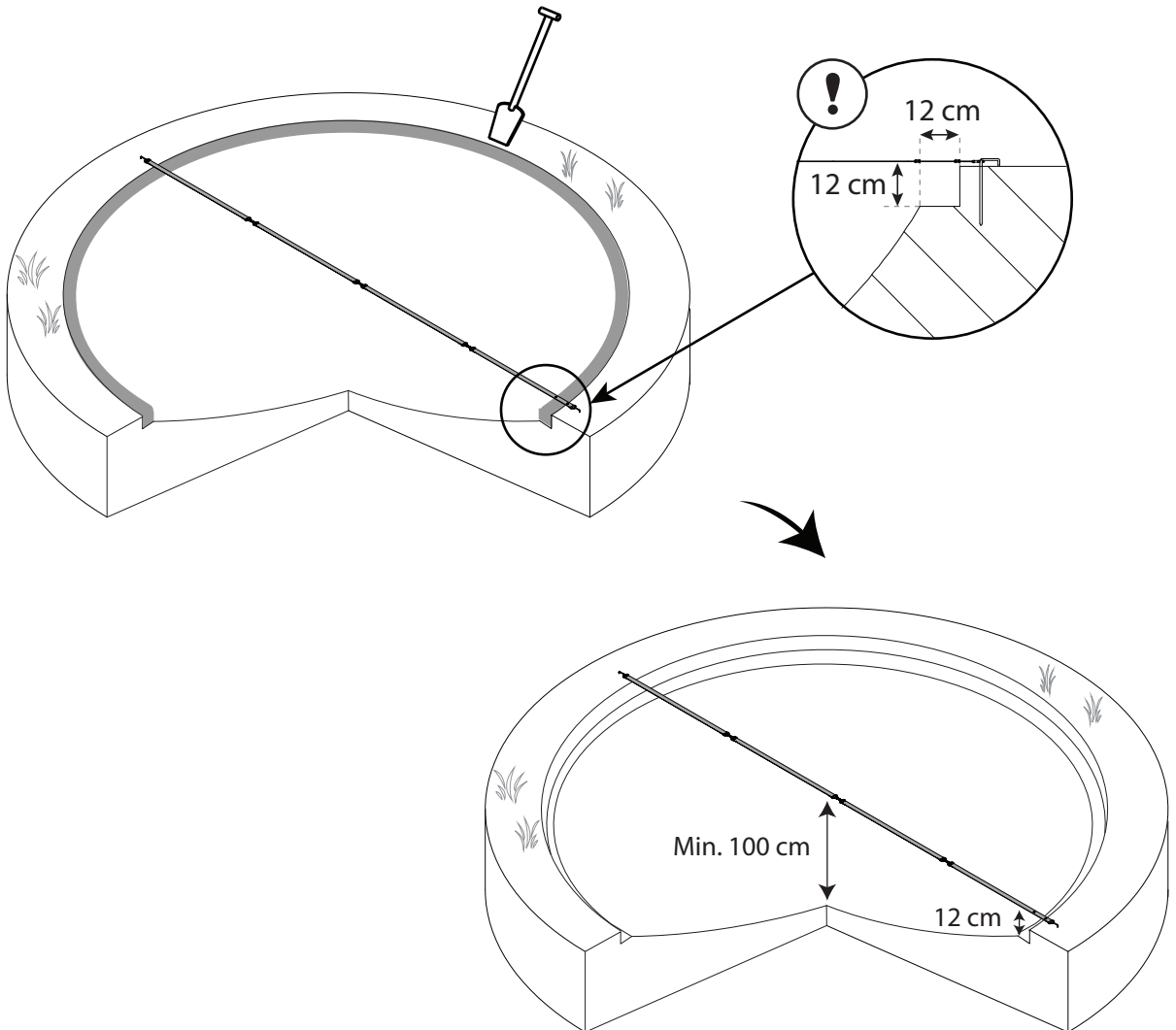
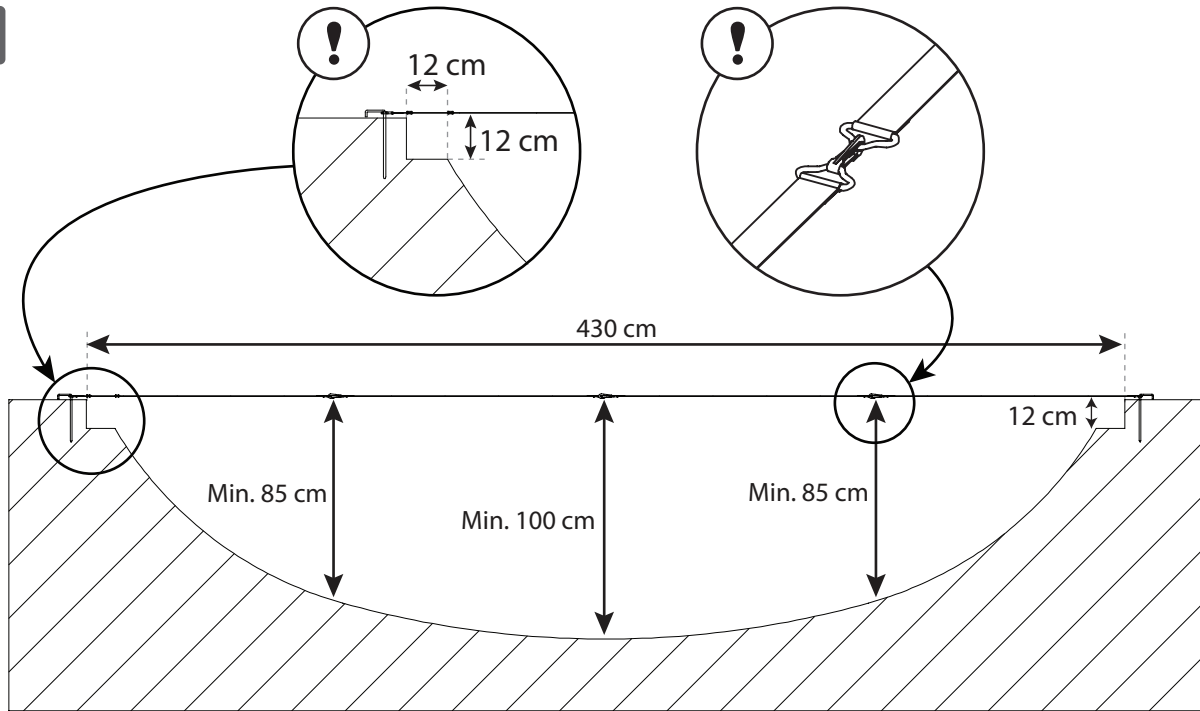


1



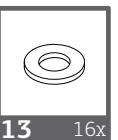
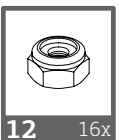
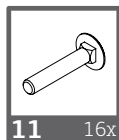
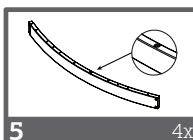
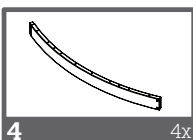
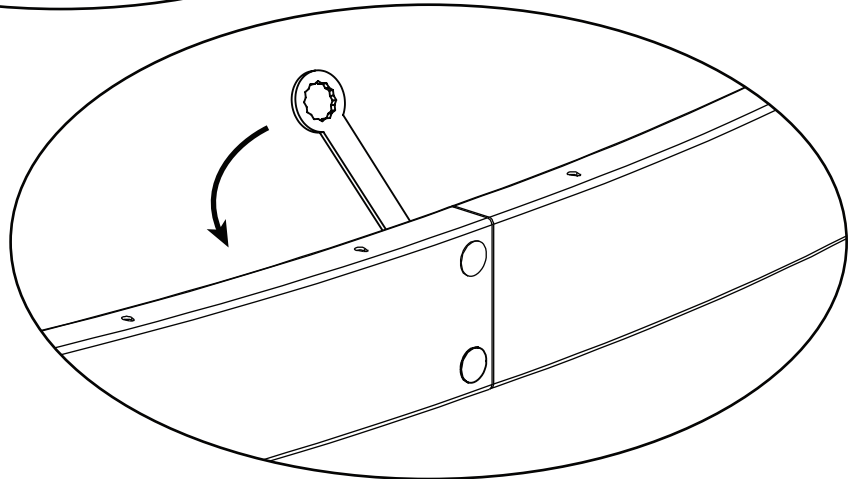
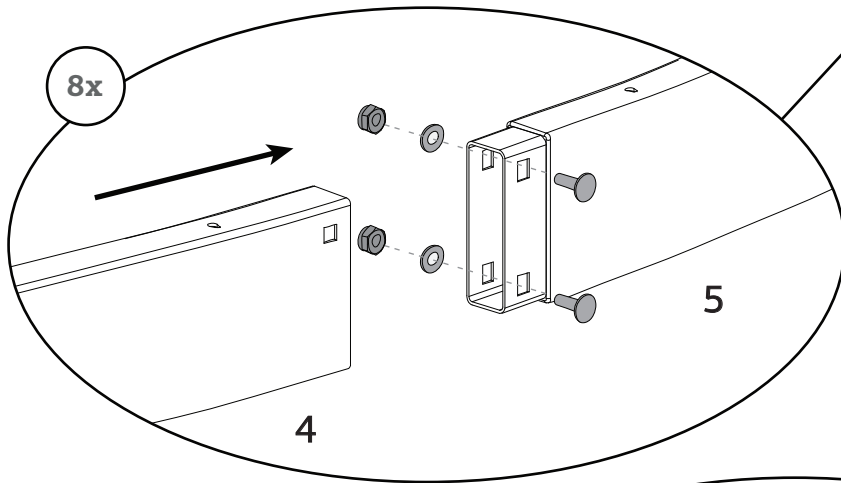
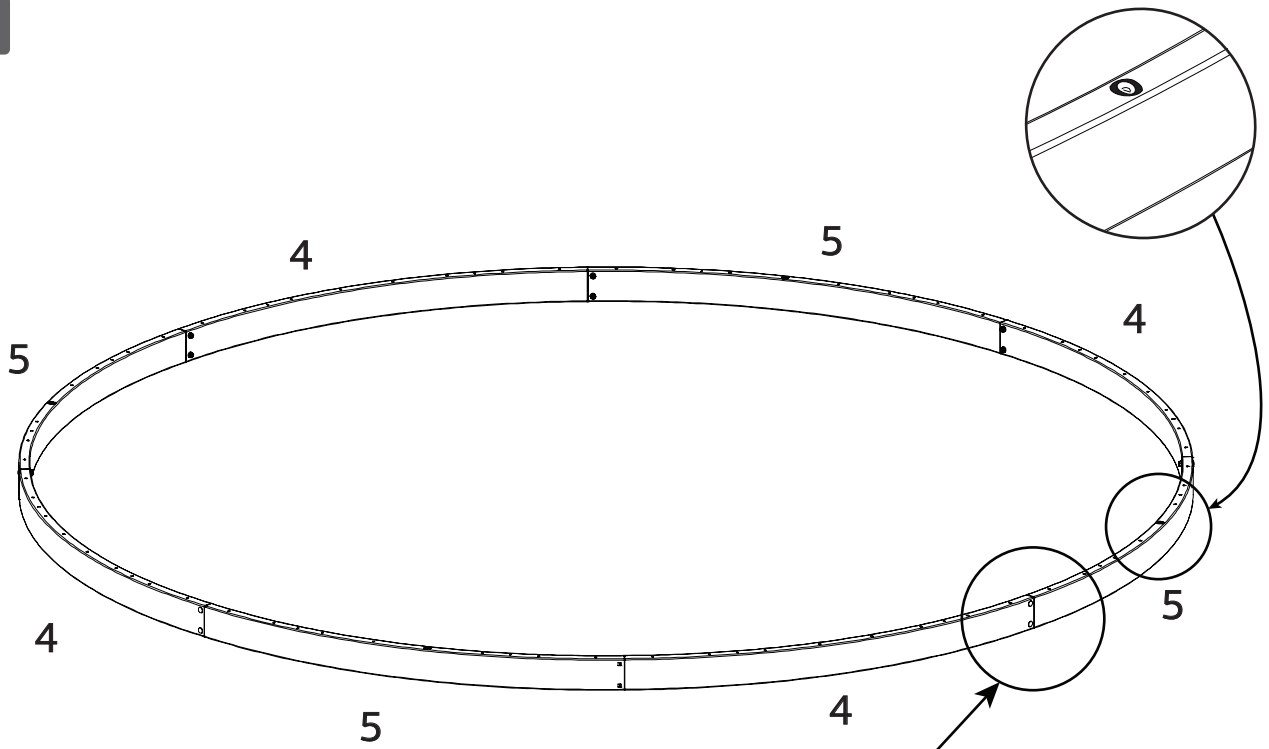


2



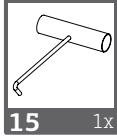
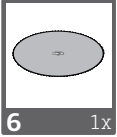
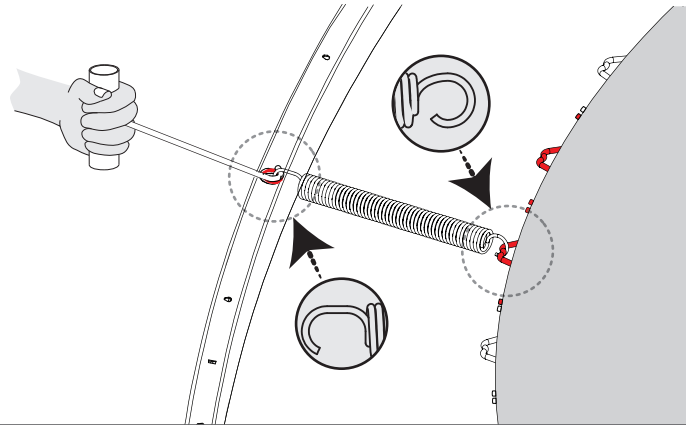


3





4



6

1x

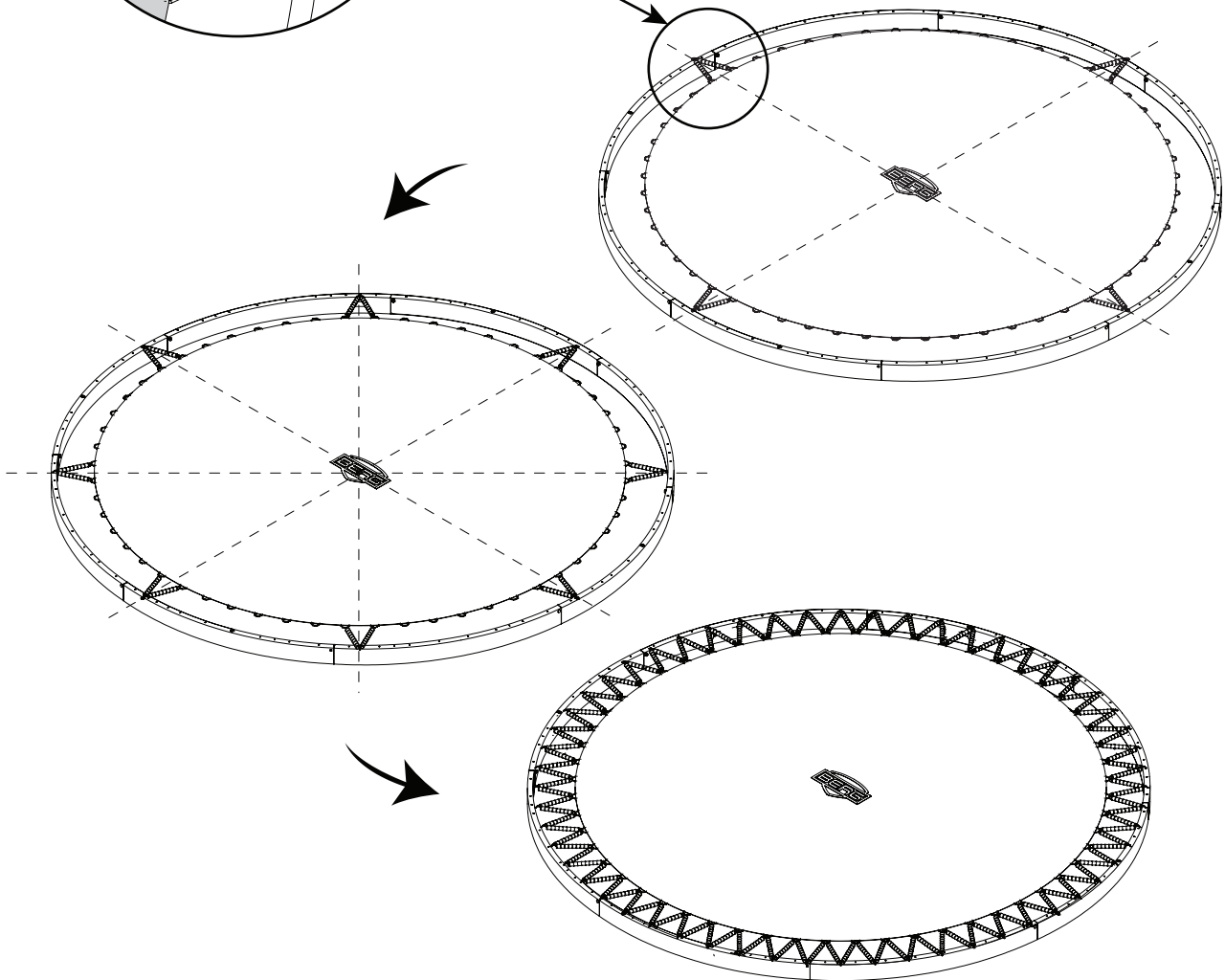
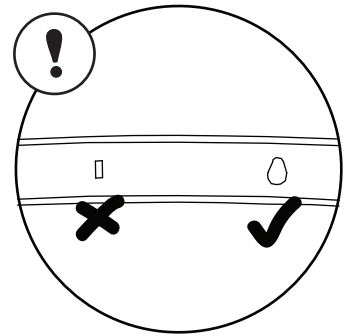
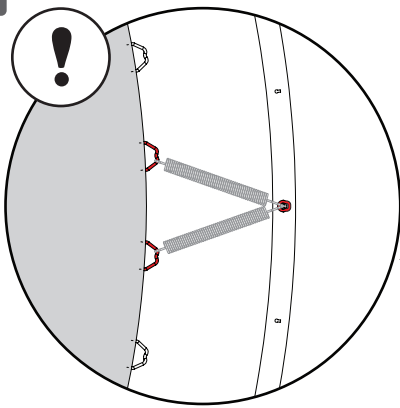
8

128x

15

1x

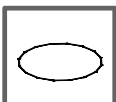
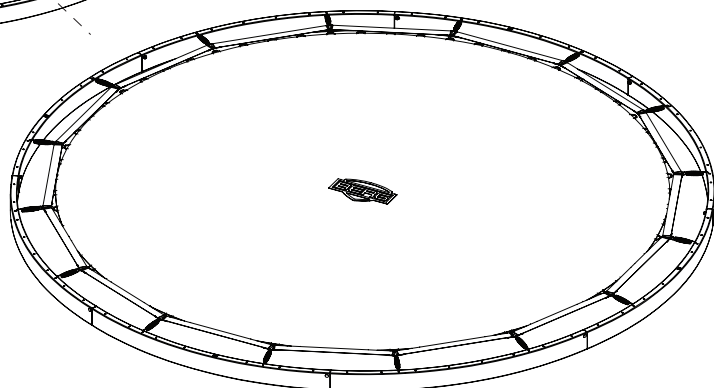
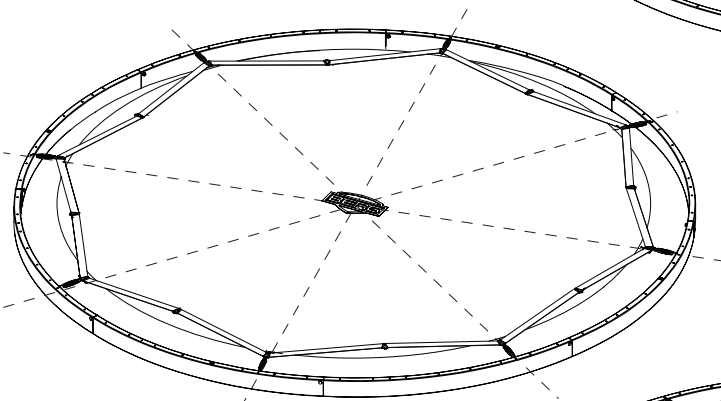
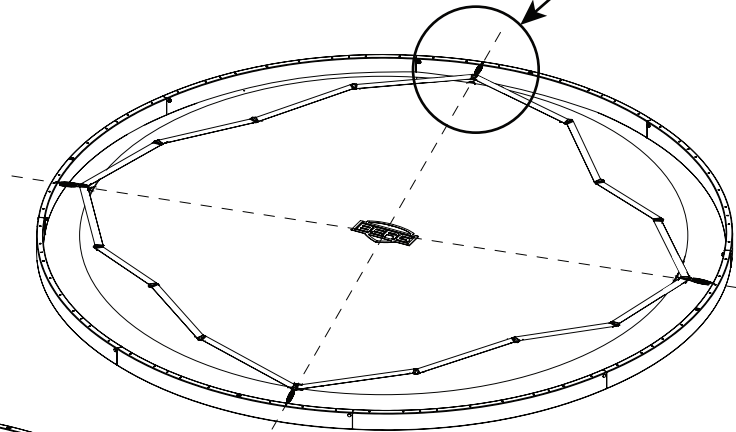
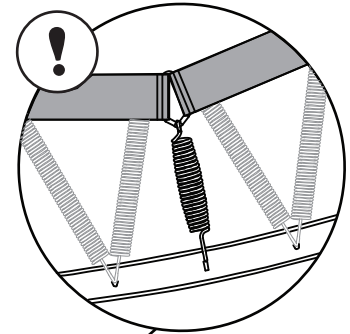
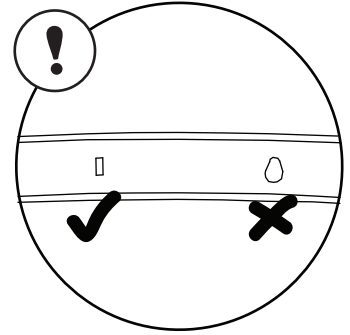
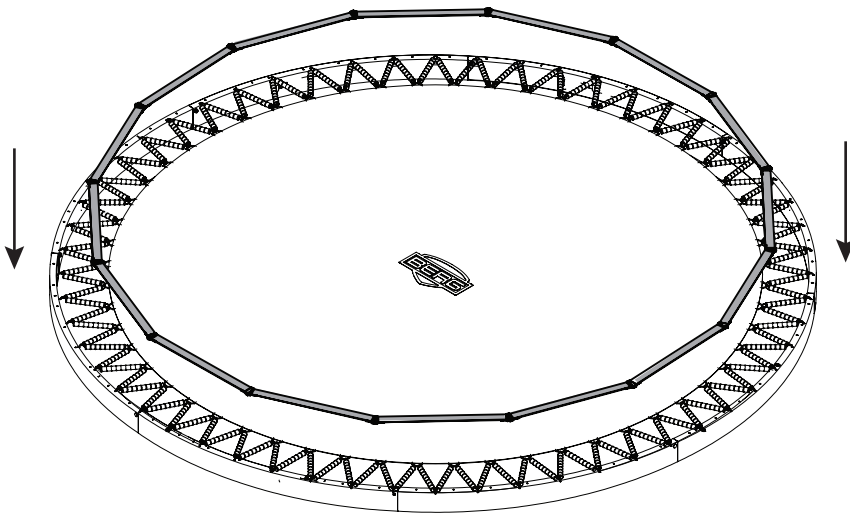
5







6



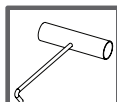
3

1x



9

16x

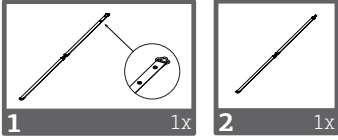
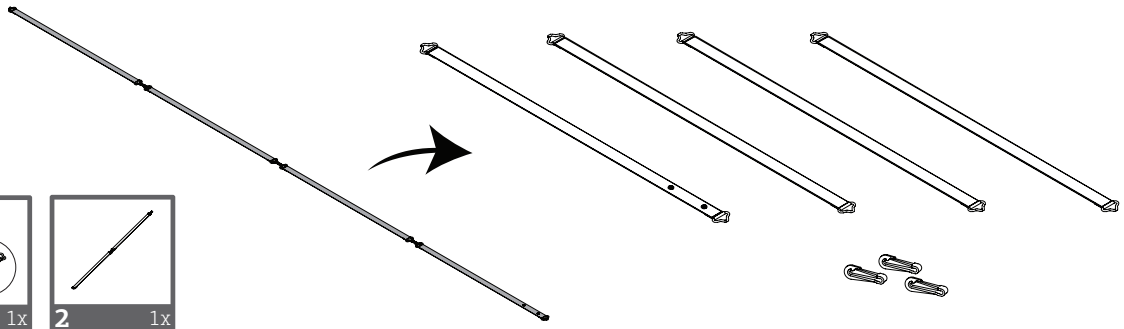


15

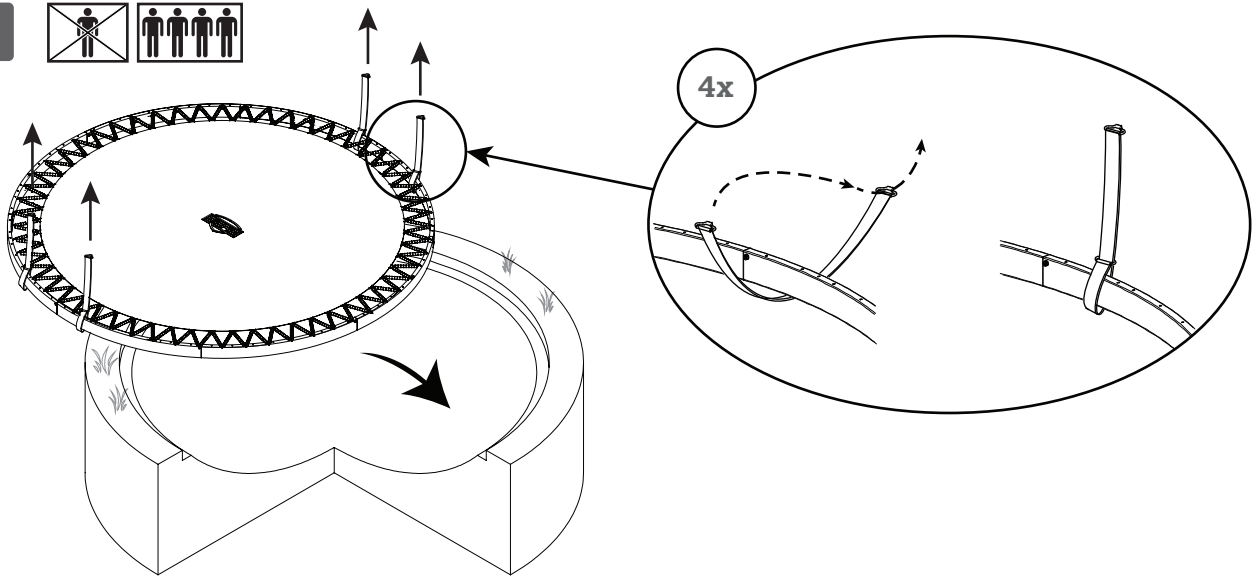
1x



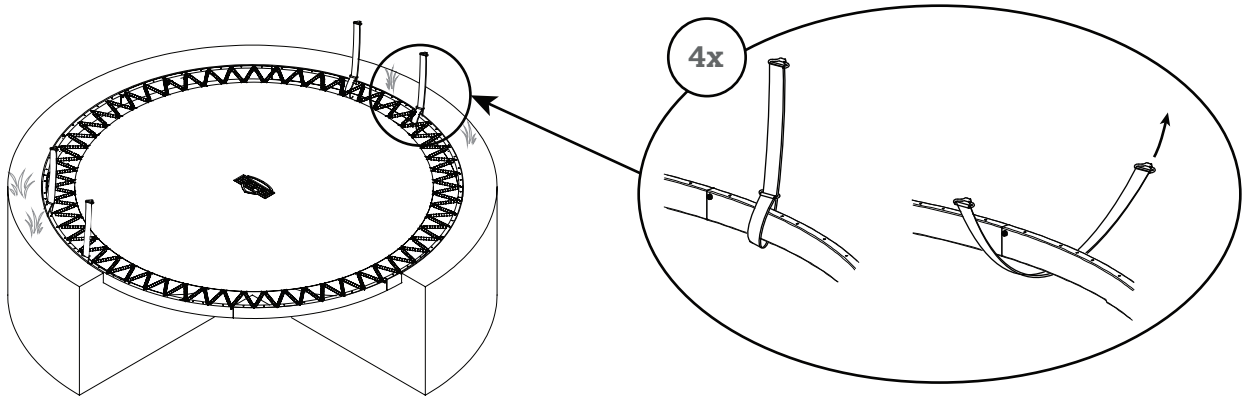
7



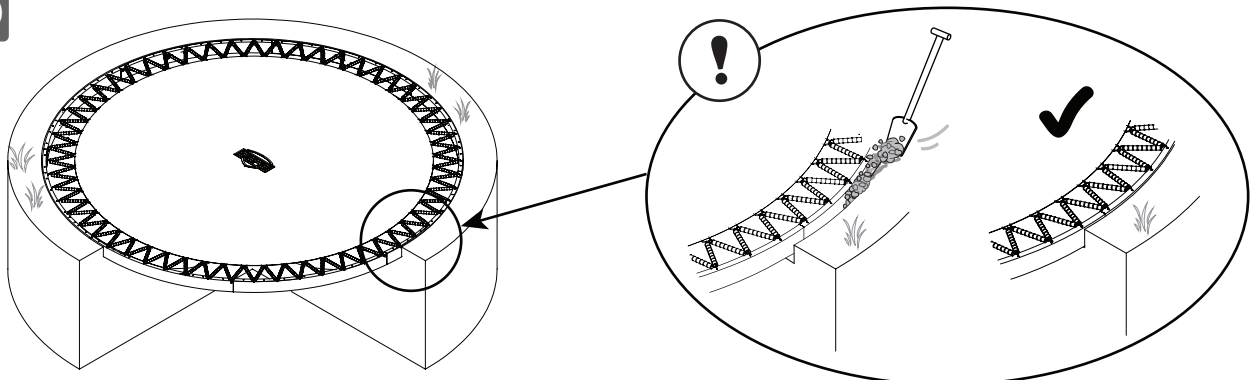
8



9

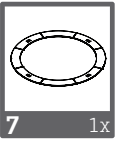
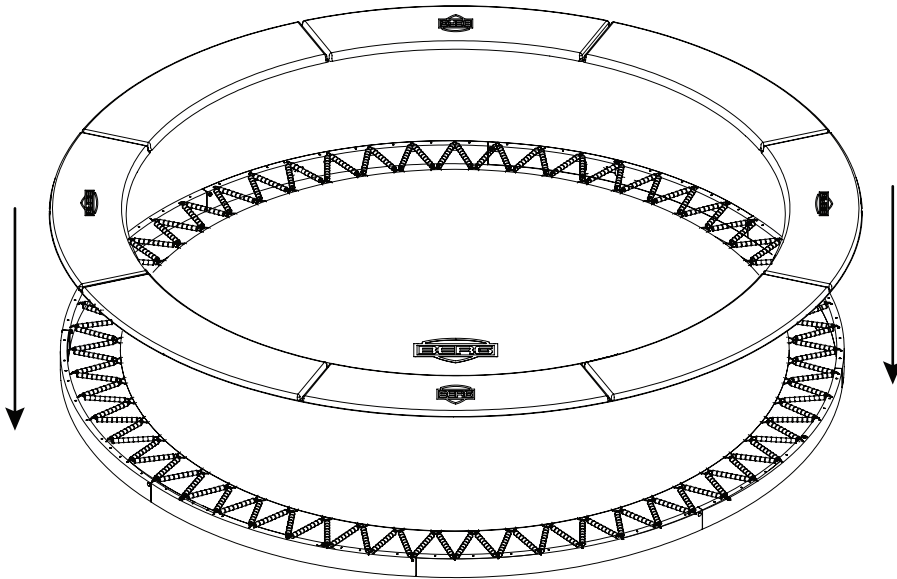


10

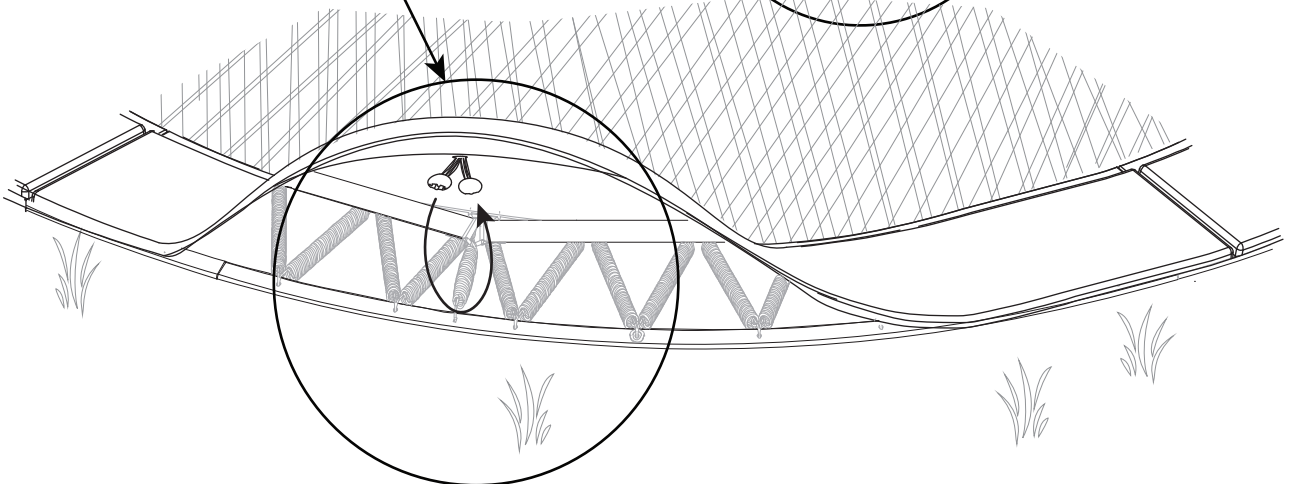
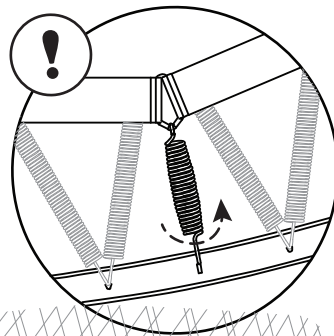
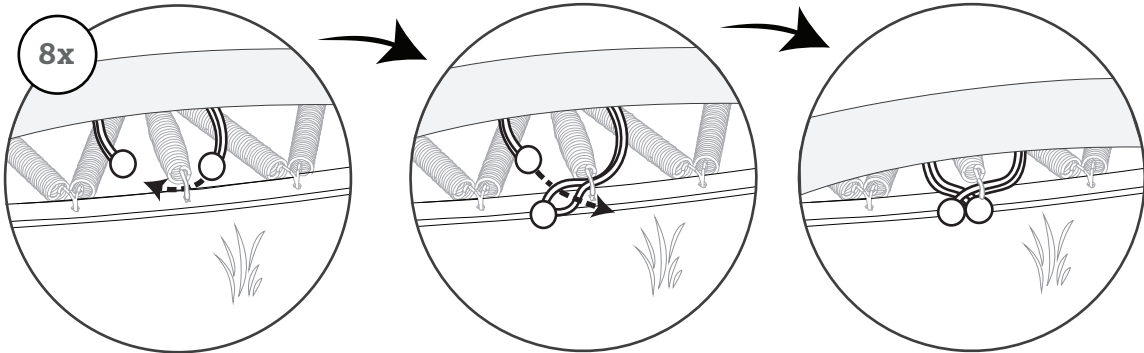




11

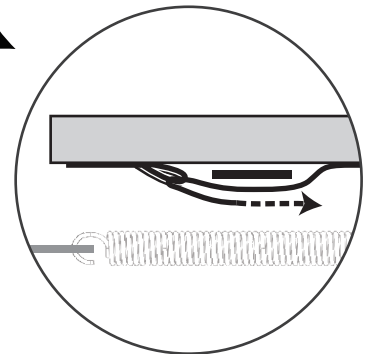
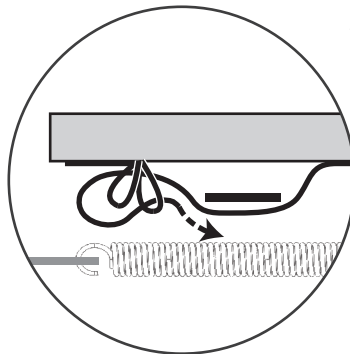
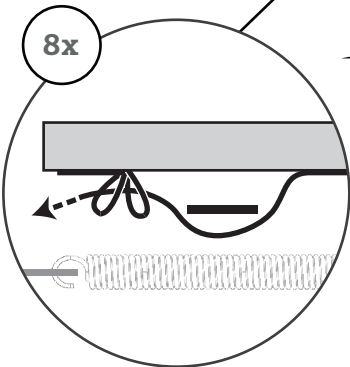
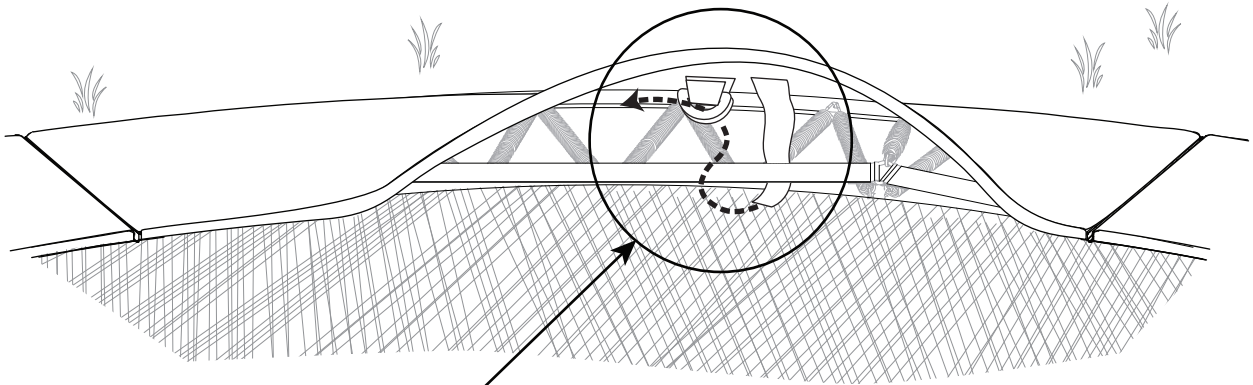
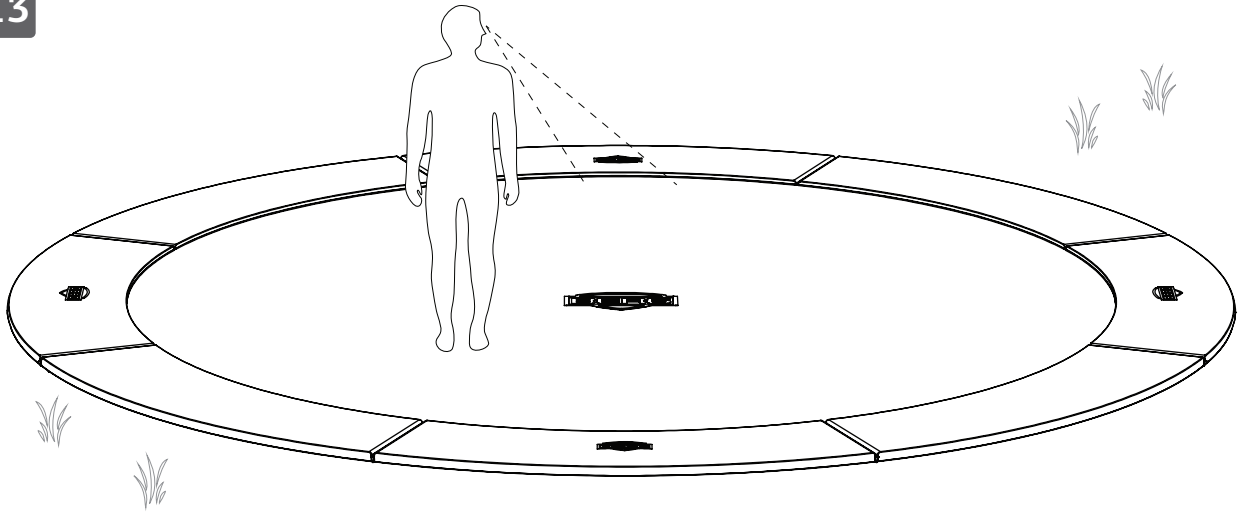


12





13



## Indholdsfortegnelse

1. Introduktion
2. Advarsler
3. Oplysninger
4. Produktbeskrivelse
5. Hoppeinstruktioner
  - 5.1 Før du begynder at hoppe
  - 5.2 Hoppeinstruktioner
  - 5.3 Grundlæggende hop
6. Montering og vedligeholdelsesinstruktioner
  - 6.1 Montering
  - 6.2 Vedligeholdelsesinstruktioner
  - 6.3 Demontering
  - 6.4 Reparationer
7. Garanti
  - 7.1 Garantiperiode
  - 7.2 Garantibetingelser

## 1. Introduktion

Brug af trampolinen fremmer aktiv og sund leg. Det har en positiv effekt på stress, fysisk tilstand og blodcirkulation. Hop på trampolin er både for unge og barnlige sjæle!

Tak fordi du valgte at købe en trampolin fra BERG. Vi er sikre på du vil få mange års gavnlig brug og glæde ved at hoppe.

Denne vejledning giver tips om montering, sikker brug og hoppeinstruktioner til mange års problemfri brug. Det er ikke farligt at hoppe på en trampolin, så længe man følger sikkerhedsinstruktionerne.

Læs instruktionerne omhyggeligt og opbevar dem til fremtidig reference.

BERG ønsker dig en sjov og aktiv hoppeoplevelse!

## 2. Advarsler

- Vægten af brugeren må ikke overstige: 120 kg
- Trampolinen fra BERG anbefales ikke til brug af børn under 6 år.
- Ikke egnet til børn under 36 måneder. Faldfare.
- Ikke egnet til børn under 36 måneder. Kvælningsfare. Små dele.
- Skal samles af en voksen.
- Trampolin BERG er til udendørs brug.
- Læs brugsvejledningen og holde dem til fremtidig reference.
- Trampolinen skal samles af en voksen i overensstemmelse med samlevejledningen og derefter kontrolleres før første brug.
- Kun én bruger. Fare for sammenstød. Brug af flere personer kan forårsage alvorlig skade.
- Hop uden sko,
- Anvend ikke dugen, når den er våd.
- Tøm lommerne, før der hoppes, og undgå at have noget i hænderne.
- Hop altid midt på dugen.
- Spis og hop ikke samtidig.
- Forlad ikke trampolinen med et hop.
- Begræns tiden for brug (hold regelmæssige pauser).
- Fastgør trampolinen, og anvend den ikke i stærk vind.
- Ingen salotmortaler. Landing på hovedet eller nakken kan forårsage alvorlig personskade, selv når lander midt i sengen.
- Voksens opsyn påkrævet.
- Det er forbudt at bruge BERG-trampoliner under påvirkning af alkohol eller andre rusmidler.
- Der må ikke befinde sig nogen genstande, dyr eller personer under BERG-trampolinen.

## 3. Oplysninger

- BERG-produktet skal bruges, som beskrevet i vejledningen. Brug, der afviger fra vejledningen, kan potentielt føre til alvorlige personskader eller beskadigelse af produktet. Læs hele vejledningen før brug af trampolinen. For at sikre sikker og komfortabel brug af BERG-trampolinen, er der inkluderet advarsler og anvisninger mht. pleje og vedligeholdelse.
- Hvis trampolinen skal flyttes til en anden placering (kort afstand), skal ankrene fjernes (hvis disse er monteret) før trampolinen flyttes. Det anbefales, at trampolinen løftes i de øverste rør af 3 voksne. Hvis trampolinen skal flyttes over en større afstand, anbefales det at adskille trampolinen i dele, pakke den ned i den originale emballage og samle den igen på den nye placering.
- Sørg for, at BERG-trampolinen står vandret, når den er samlet.
- Sørg for en minimums-afstand på mindst 2 meter til træer, hegn og andre omkringliggende forhindringer.
- Det er påkrævet at have en minimums-frihøjde opadtil på 7 meter, målt fra underlaget som trampolinen står på.
- Af sikkerhedsmæssige årsager, medmindre BERG har godkendt dette, er det forbudt at ændre eller modificere trampolinen. Reparationer skal udføres af en fagmand. Kontakt din BERG-forhandler.

## 4. Produktbeskrivelse

- BERG trampolinrammen er galvaniseret og pulverlakeret for at beskytte mod korrosion.
- For at sikre mange års fornøjelse, er BERG-trampolin fremstillet af materialer i høj kvalitet. Korrekt vedligeholdelse og pleje fremmer en lang levetid og forebygger skader.

## 5. Hoppeinstruktioner

### 5.1 Før du begynder at hoppe

- Der må ikke befinde sig nogen genstande, dyr eller personer under BERG-trampolinen.
- Brug kun BERG-trampolinen, når den er ren og tør.
- Ting og andre forhindringer, der kan forstyrre hopperiet bør forbydes i hoppeområdet.

### 5.2 Hoppeinstruktioner

- Stig ikke op på eller ned af trampolinen ved at hoppe.
- Korrekt bevægelse under brug af BERG-trampolinen kræver en god kropsholdning. Korrekt kropsholdning og balance opnås ved at spænde musklerne.
- God kropsholdning sikrer sikker brug af BERG-trampolinen. Når man hopper, udsættes kroppen for stød, der kræver korrekt stødabsorption. Ved at spænde musklerne, opnår du bedre kontrol over balancen hvilket giver bedre udholdenhed mens du hopper. Omvendt fører en mere afslappet kropsholdning til tab af energi og udholdenhed mens du hopper. Begynd med de grundlæggende hop og hoppepositioner og øg først sværhedsgraden, når du har styr på disse. For at stoppe, mens du hopper, skal du bøje knæene når dine fødder rører dugen.
- Hop altid midt på dugen. Undgå at hoppe i kanten af dugen og på trampolinens polstring.
- For at stoppe, mens du hopper, skal du bøje knæene når dine fødder rører dugen. Lær at gøre dette, før du prøver flere og andre teknikker.
- Lær de grundlæggende hop og kropspositioner grundigt, før du prøver mere avancerede teknikker. Nogle hoppeteknikker kan udføres hver for sig eller i serier og/eller kombination med flere hop.
- Undgå hoppe for højt. Opnå først kontrol over dine hop med en korrekt landingsposition midt på dugen. Ud fra et sikkerhedsmæssigt perspektiv er kontrol vigtigere end højde.
- For at sikre og fastholde kontrollen mens du hopper, skal din kropsholdning være lige, hovedet skal være i oprejst position og øjnene være fokuseret på springdugen.

## 5.3 Grundlæggende hop

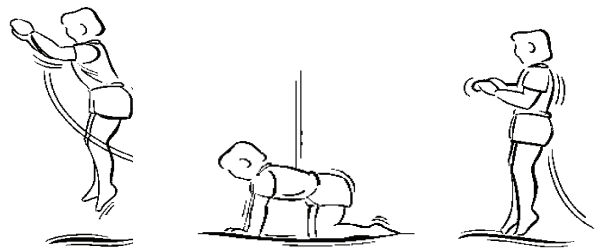
### Grundlæggende hop

Indtag opretstående stilling med hovedet i oprejst position. Fokuser blikket på springdugen. Når du hopper opad, svinger du armene fremad i en cirkulær bevægelse og peger tæerne nedad. Hold fødderne tæt sammen med tæerne pegene nedad, når du vender tilbage til springdugen. Når du lander på springdugen, skal du holde dine fødder ca. 40 cm fra hinanden.



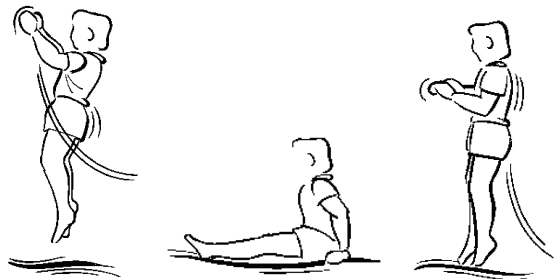
### Hop på hænder og knæ

Begynd med grundlæggende hop. Fokuser blikket på springdugen. Sving armene fremad i en cirkulær bevægelse. Land på hænder og knæ. Skub fra med hænderne og vend tilbage til opretstående stilling.



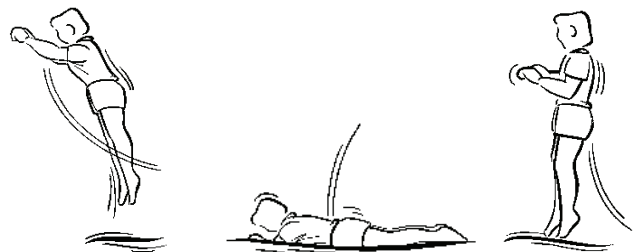
### Hop på bagdelen

Begynd med grundlæggende hop. Fokuser blikket på springdugen. Land i siddende stilling. Placer hænderne ved siden af hoften på springdugen, når du er i siddende stilling. Skub fra med hænderne og vend tilbage til opretstående stilling.



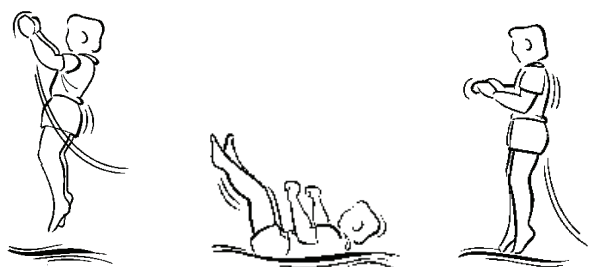
### Mavehop

Begynd med grundlæggende hop og land på maven. Hold hovedet lige. Hold armene strakte og pegende fremad på springdugen. Skub fra med hænderne og vend tilbage til opretstående stilling.



### Hop på ryggen

Begynd med grundlæggende hop og land på ryggen. Hold hagen presset ned mod brystet under landingen. Spark fremad og opad med benene, når du vender tilbage til stående stilling.





## 6. Montering og vedligeholdelsesinstruktioner

### 6.1 Montering

- Montere ikke trampolinen i ekstrem vindforhold. Vent når vinden aftager.
- Det anbefales af bruge handsker, når du samler din BERG-trampolin.
- Sørg for, at BERG-trampolinen står vandret når den er samlet. Brug et vaterpas til at tjekke det med.
- Trampolinen skal samles af en voksen i henhold til monteringsvejledningen. BERG anbefaler at gennemgå samlingen af trampolinen før brug.
- Saml trampolinen vha. skruer og beslag med selvlåsende møtrikker. De selvlåsende møtrikker er kun til engangsbrug. Hvis trampolinen skilles ad og pakkes sammen, skal de selvlåsende møtrikker skiftes ud.
- Beliggenhed: Find den optimale placering til trampolinen: Placer trampolinen tilstrækkelig langt fra forhindringer og kontroller jordbundsforholdene.
- Når hullet graves, bør jorden være fast at undgå den falder sammen på grund af erosion. Forstærk om nødvendigt hullets sider, eller glat dem for at forhindre dette.
- Hvis det ikke er muligt at grave et hul i jorden, er det bedre at vælge en anden placering eller konsultere et professionelt udgravningsfirma og få deres råd og vejledning.
- De udgravede hul må ikke indeholde vand. Tjek området, så du kan undgå at et højt grundvandsniveau fylder hullet med vand.
- Tjek også, om der er passende afløb til bortskaffelse af regnvand.
- Som vist på diagrammet i installationsvejledningen, skal du bruge det medfølgende målebånd (findes i emballagen) til at måle og bestemme den korrekte diameter, dybde og form på det udgravede hul.
- Sørg for at størrelsen og udformningen af hullet er som angivet i manualen.
- Sørg for, at trampolinrammen står helt vandret.
- For monteringsvejledning, se side 4.
- Kontakt producenten for yderligere oplysninger om trampolinen.
- Installer tilbehør iht. installationsvejledningen/guiden.

### 6.2 Vedligeholdelsesinstruktioner

Som beskrevet i samlevejledningen, skal BERG-trampolinen tjekkes før hver brug. Eventuelle beskadigede, slidte eller manglende dele skal udskiftes eller erstattes. Hvis inspektionerne ikke udføres og trampolinen ikke vedligeholdes kan dette føre til farlige situationer og unødvendige risici for brugeren.

Tjek hullet under trampolinen med jævne mellemrum. (Mindst en gang om året) og træf om nødvendigt korrigerende foranstaltninger. Tjek hullet, som angivet i installationsvejledningen, for:

- Korrekt dybde.
- Korrekt form.
- Rammens stabilitet og ensartethed.
- Uønskede objekter.

Tjek trampolinens hul efter en regnfuld periode og før brug. Sørg for, at der er passende afløb til bortskafning af regnvand.

Hvis trampolin hullet kræver vedligeholdelse, skal trampolinen først fjernes i sin helhed. Trampolinen løftes med stropperne som indgår i kassen (se manualen). Det anbefales at løfte trampolinen med mindst 3 voksne. Montering af stropperne under rammen kan kræve lidt gravearbejde. Når vedligeholdelsen er afsluttet placeres trampolinen tilbage i hullet. Bemærk at trampolinen skal stå vandret.

Trampolinen bør skilles ad, inden den flyttes over længere afstande. Læg delene i den originale emballage og saml trampolinen på den nye placering i overensstemmelse med montagevejledning.

## Vær opmærksom på følgende:

- Samlingerne tilstand. (F.eks. Defekte svejsninger eller en bøjet ramme).
- Fjedrenes tilstand (om det er beskadigede eller strukket for langt) og fjedrenes fastgørelse til rammen og springdugen. Alle trampolinsens fjedre er udsat for slid og ælde. Udskift slidte dele efter behov.
- Tjek boltene samling for at sikre de er spændt, og efterspænd dem efter behov. Tjek (samlestifter) samlingerne for at sikre, at de ikke skubbes ud under hopperiet.
- Springdugens tilstand (skader, forkert spænding eller om dugen hænger). Springdugen slides ved brug og eksponering for sollys (UV-stråling). Udskift springdugen i tide, når dens tilstand forringes.
- Manglende, forkert placeret, eller løst monteret beskyttelsespolstring.
- Defekte syninger, revner eller huller i springdugen eller den beskyttende polstring.
- Slid af springdugens syninger, materiale eller beskyttende polstring.
- Tjek rammen for skarpe kanter og fremspring.
- omkring BERG-trampolinen. Brug af sådanne produkter kan få komponenterne til at ruste.
- Springdugen og polstringen rengøres med en klud og koldt vand. Brug ALDRIG opløsningsmidler, opvaskemiddel, sæbe eller varmt vand.

## 6.3 Demontering

- Saml trampolinen vha. skruer og beslag med selvlåsende møtrikker. De selvlåsende møtrikker er kun til engangsbrug. Hvis trampolinen skilles ad og pakkes sammen, skal de selvlåsende møtrikker skiftes ud.

## 6.4 Reparationer

Kontakt BERGs autoriserede forhandlere mht. bestilling af originale reservedele til BERG-trampolinen.

## 7. Garanti

### 7.1 Garantiperiode

- BERGs trampoliner er udført i en fremragende kvalitet. For at sikre dig mange års sjov og glæde på vores trampoliner, giver BERG dig en funktionalitetsgaranti. En funktionalitetsgaranti er en garanti, der dækker dens funktionelle brug. Se nedenstående tabel over garantiens varighed (år).

Ramme	10
Ramme (efter registrering produkt)	13 (10+3)
Polstring	2
Springdugen	2
Fjedrenes	5
Sikkerhedsnet	2

- Med undtagelse af den 1-års garanti for BERGs Weather Cover (Vejrdække), er BERGs sikkerhedsnet og tilbehør omfattet af en garantiperiode på 2 år. Dele, der er modtagelige for slitage (f.eks. elastikker), vejrets påvirkning (f.eks. rust og misfarvning) og skummet på rørene i BERGs sikkerhedsnet, er ikke omfattet af garantien.

### 7.2 Garantibetingelser

Ejeren af produktet kan kun kræve garantidækning ved at fremvise den originale kvittering for købet. Garantien dækker kun materiale- og fabrikationsfejl relateret til BERG-produktet og dets relaterede dele.

#### Garantien annulleres og bliver ugyldig, hvis:

- Produktet bruges forkert og/eller uagtsomt.
- Produktet ikke er samlet og vedligeholdt i overensstemmelse med brugsanvisningen.
- Tekniske reparationer på produktet ikke er udført på en professionel måde.
- Reservedele er installeret forkert eller ikke svarer til de tekniske specifikationer for det pågældende produkt.
- Skader forårsaget af påvirkninger fra vejret som rust, UV-stråler eller normal slitage.
- Forkert nedgravning af BERG-trampolinen.
- Produktet anvendes til udlejning eller stilles til rådighed for brug af en tredjepart.
- Under garantiperioden vil alle materialer og konstruktionsrelaterede fejl blive repareret eller erstattet af BERG. Reparationer udføres og håndteres uden omkostninger, såfremt produktet stadig er inden for garantiperioden, som anført i artikel 7.1.
- BERGs garanti kan kun indfries, hvis produktet er tjekket af en autoriseret BERG-forhandler.
- BERGs garanti kan kun indfries, hvis det originale købsbevis vises til en autoriseret BERG-forhandler. Hvis ejeren er flyttet eller BERG-forhandleren er lukket, kan BERG anbefale en alternativ BERG-forhandler.
- Hvis garantikravet ikke er opfyldt, skal alle udgifter betales af ejeren.
- Denne garanti kan ikke overdrages til tredjemand.



## *Product registration*

**Er du interesseret i en gratis supplerende garanti?\***

Glem ikke at registrere dit produkt online med det samme!  
Gå til **[www.bergtoys.com/registration](http://www.bergtoys.com/registration)**.

Dette vil sikre, at du får en rammegaranti på 5 år (go-karts)  
samt 8 eller 13 år (trampolinerne).

\*For at se betingelserne, så besøg [www.bergtoys.com/registration](http://www.bergtoys.com/registration)



**[www.bergtoys.com/registration](http://www.bergtoys.com/registration)**



[www.bergtoys.com](http://www.bergtoys.com)

B/N sticker